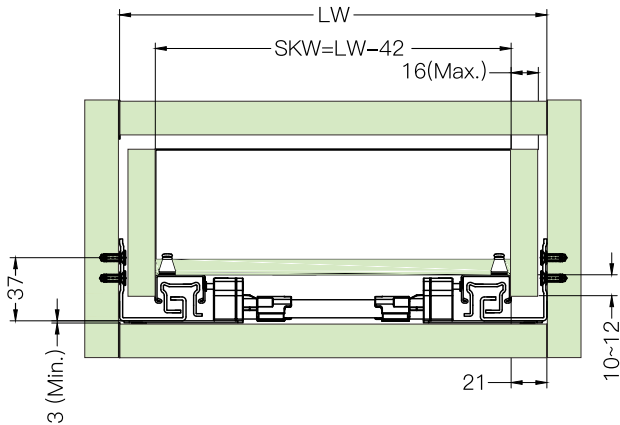


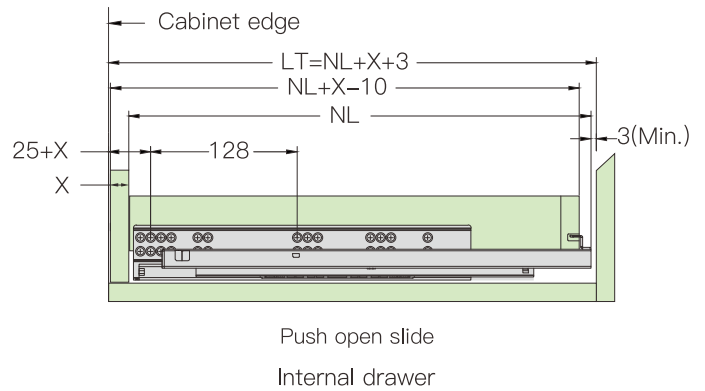
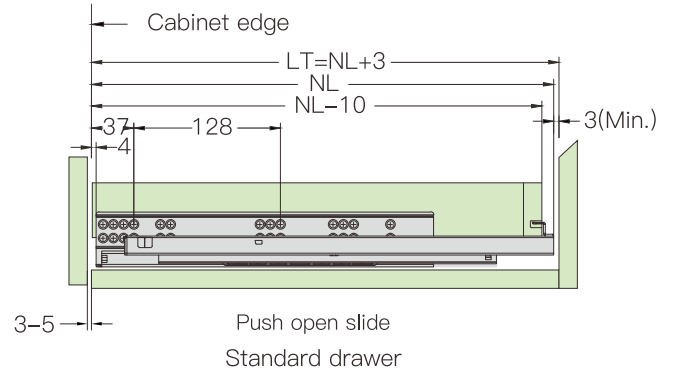
Synchronized Full Extension Push To Open Undermounted Slide With Stabilizer Bar (for 16mm Panel)

Load capacity: 35Kg
 Length: 250-550mm
 Drawer height adjustment: 0~+3mm
 Drawer width adjustment: ±1.5mm

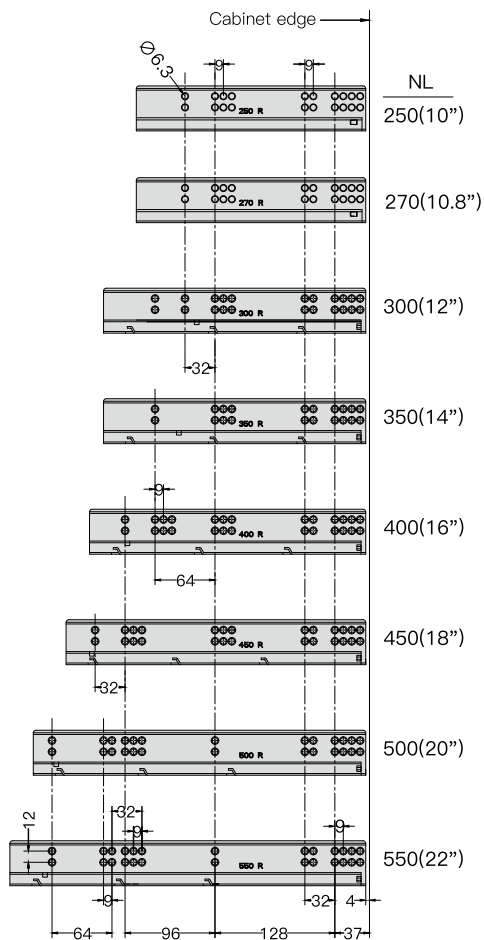
SKW=Internal drawer width
 LW=Internal cabinet width



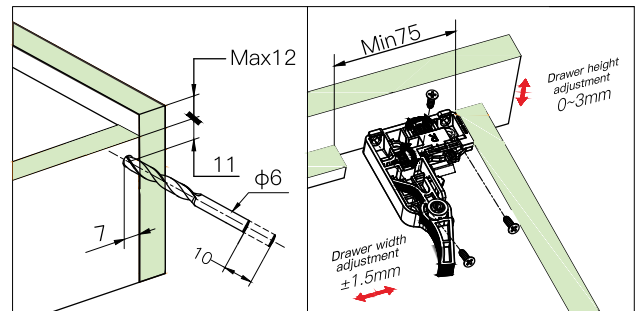
NL=Slide length
 LT=Internal cabinet depth
 Max drawerside thickness:16mm



Hole position



Drawer size and drilling



Installation steps for synchronizing bar:

